

**ZAV** SERIES**105°C Ultra Low Impedance.****◆ FEATURES**

- Extremely reduced impedance at high frequency range.
- Reflow soldering is available.
- Load Life : 105°C 1000 hours.

**◆ SPECIFICATIONS**

Items	Characteristics														
Category Temperature Range	-40~+105°C														
Rated Voltage Range	6.3~35V.DC														
Capacitance Tolerance	±20%(20°C,120Hz)														
Leakage Current(MAX)	I=0.01CV or 3μA whichever is greater. (After 2 minutes application of rated voltage) I=Leakage Current(μA) C=Rated Capacitance(μF) V=Rated Voltage(V)														
Dissipation Factor(MAX)	<table border="1"> <thead> <tr> <th>Rated Voltage (V)</th> <th>6.3</th> <th>10</th> <th>16</th> <th>25</th> <th>35</th> <th>(20°C,120Hz)</th> </tr> </thead> <tbody> <tr> <td>tanδ</td> <td>0.15</td> <td>0.13</td> <td>0.12</td> <td>0.10</td> <td>0.10</td> <td></td> </tr> </tbody> </table>	Rated Voltage (V)	6.3	10	16	25	35	(20°C,120Hz)	tanδ	0.15	0.13	0.12	0.10	0.10	
Rated Voltage (V)	6.3	10	16	25	35	(20°C,120Hz)									
tanδ	0.15	0.13	0.12	0.10	0.10										
Endurance	<p>After applying rated voltage with rated ripple current for 1000 hrs at 105°C, the capacitors shall meet the following requirements.</p> <table border="1"> <tbody> <tr> <td>Capacitance Change</td> <td>Within ±20% of the initial value.</td> </tr> <tr> <td>Dissipation Factor</td> <td>Not more than 200% of the specified value.</td> </tr> <tr> <td>Leakage Current</td> <td>Not more than the specified value.</td> </tr> </tbody> </table>	Capacitance Change	Within ±20% of the initial value.	Dissipation Factor	Not more than 200% of the specified value.	Leakage Current	Not more than the specified value.								
Capacitance Change	Within ±20% of the initial value.														
Dissipation Factor	Not more than 200% of the specified value.														
Leakage Current	Not more than the specified value.														
Low Temperature Stability Impedance Ratio(MAX)	<table border="1"> <thead> <tr> <th>Rated Voltage (V)</th> <th>6.3</th> <th>10</th> <th>16</th> <th>25</th> <th>35</th> <th>(120Hz)</th> </tr> </thead> <tbody> <tr> <td>Z(-40°C)/Z(20°C)</td> <td>3</td> <td>3</td> <td>3</td> <td>3</td> <td>3</td> <td></td> </tr> </tbody> </table>	Rated Voltage (V)	6.3	10	16	25	35	(120Hz)	Z(-40°C)/Z(20°C)	3	3	3	3	3	
Rated Voltage (V)	6.3	10	16	25	35	(120Hz)									
Z(-40°C)/Z(20°C)	3	3	3	3	3										

◆ MULTIPLIER FOR RIPPLE CURRENT

Frequency coefficient

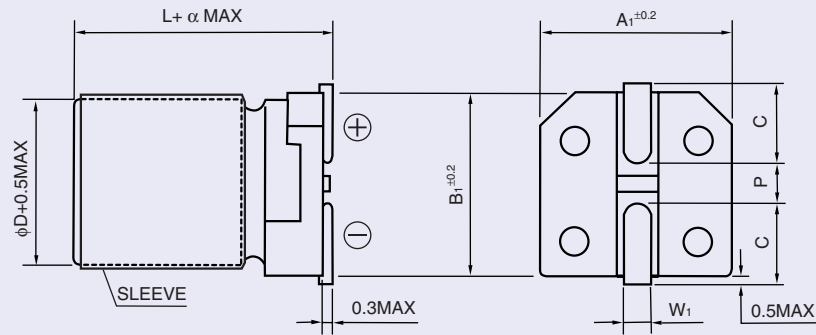
Frequency (Hz)		120	1k	10k	100k≤
Coefficient	4.7~10μF	0.15	0.40	0.75	1.00
	15~33μF	0.20	0.50	0.80	1.00
	47~100μF	0.25	0.60	0.90	1.00
	120~220μF	0.35	0.70	0.92	1.00
	330~470μF	0.45	0.75	0.95	1.00

◆ PART NUMBER

 ZAV DxL
 Rated Voltage Series Rated Capacitance Capacitance Tolerance Option Case Size

◆ DIMENSIONS

(mm)



ϕD	L	A_1	B_1	C	W_1	P	α
4	7	4.3	4.3	2.0	0.5~0.8	0.8	0.3
5	7	5.3	5.3	2.2	0.5~0.8	1.3	0.3
6.3	7	6.6	6.6	2.7	0.5~0.8	1.8	0.3
8	12	8.3	8.3	2.9	0.8~1.1	3.1	0.5

◆ STANDARD SIZE

Rated voltage (V.DC)	Rated capacitance (μF)	Size ϕDXL (mm)	Rated ripple current (mA r.m.s./105°C, 100kHz)	Impedance ($\Omega\text{MAX}/20^\circ\text{C}$, 100kHz)
6.3(0J)	22	4X7	150	0.68
	47	5X7	230	0.36
	100	6.3X7	310	0.20
	470	8X12	930	0.053
10(1A)	15	4X7	150	0.70
	33	5X7	230	0.36
	56	6.3X7	310	0.21
	330	8X12	930	0.054
16(1C)	10	4X7	150	0.72
	22	5X7	230	0.38
	47	6.3X7	310	0.21
	180	8X12	930	0.055
25(1E)	6.8	4X7	150	0.79
	15	5X7	230	0.39
	27	6.3X7	310	0.22
	120	8X12	930	0.057
35(1V)	4.7	4X7	150	0.85
	8.2	5X7	230	0.46
	18	6.3X7	310	0.25
	82	8X12	930	0.058